

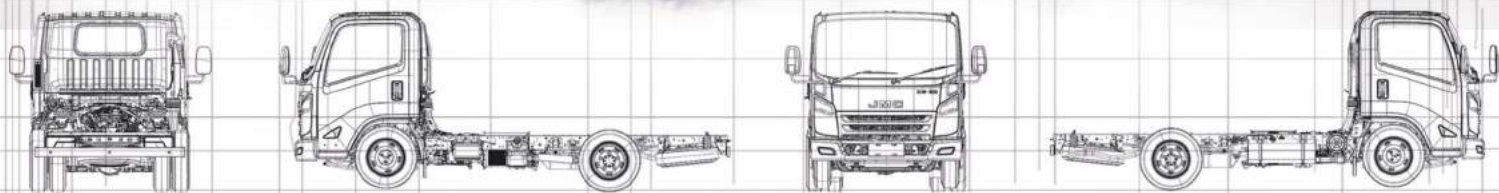


# CONQUER 3360

## 60-90-MWB



Illustration may contain items not standard to the model



# FOR THE HIGHEST EFFICIENCY

## KEY FEATURES

- TOPANTHER TDCi engine
- GETRAG standard 6 speed gearbox
- ADR 80/03 Emission using Euro 5
- 3 years/160,000 km warranty

## KEY SPECIFICATIONS

- GVW .....6000kg
- Engine.....Direct injection high pressure common rail  
.....system Turbocharger and liquid intercooler
- Power . .....90kw@3200rpm
- Torque .....315Nm/1600-2200 rpm
- Wheelbase .....3360mm
- Nominal Max Tray Length.....4757mm



# CONQUER 3360



## ENGINE & DRIVETRAIN SPECIFICATIONS

### ENGINE

Engine Model .....JX4D24A5H  
 Max. Power .....90kw@3200rpm  
 Max. Torque .....315Nm/1600-2200 rpm  
 Type .....4 Cylinder 16 valve  
 Displacement .....2400 cc  
 Fuel Injection system .....Direct injection high pressure  
 .....common rail system  
 Air intake system .....Turbocharger and liquid  
 .....intercooler  
 Air cleaner .....Paper element

### TRANSMISSION

Type .....GETRAG  
 Model .....6MTI420  
 Gear ratio

1st: 5.979	2nd: 3.434
3rd: 1.862	4th: 1.297
5th:1.000	6th: 0.759
Rev: 5.701	

PTO.....provision LHS transmission case

### BRAKES

Type .....Double circuit hydraulic  
 .....braking, vacuum assist  
 ABS .....Yes  
 Front drum size .....320  
 Rear drum size .....320  
 Parking drum size .....drum braking  
 Exhaust braking .....vacuum controlled

### WHEELS & TYPES

Wheels type .....6 Stud wheel  
 Front .....7.00R16 12 PR  
 Rear .....7.00R16 12 PR Dual  
 Number of tyres.....7 Including spare

### CLUTCH

Type .....M278-diaphragm spring  
 Size.....Ø278XØ180  
 Control .....hydraulic control

### AXLE LOAD & TYRE ROAD LIMITS

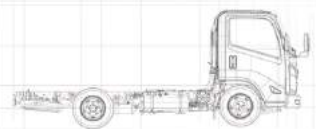
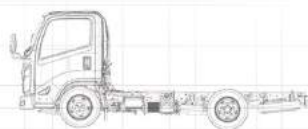
Front axle .....Integral  
 Front axle tyre rating kg....2600  
 Rear axle .....Full floating  
 Rear axle tyre rating kg....4000

### SUSPENSION

Front .....Leaf Spring  
 Leaf spring No.....7  
 Rear .....Leaf Spring  
 Leaf spring No.....5+6

### Electrical System

Type .....12 Volt system  
 Batteries.....12V-80AH





# CONQUER 3360

## CAB EQUIPMENT & INSTRUMENTATION



### VEHICLE WEIGHTS

GVW kg.....	6000
Front axle weight kg.....	1475
Rear axle weight kg.....	775
Total vehicle tare weight.....	2183
Rated load capacity kg.....	3817

### STEERING

Type .....Recirculating ball-type

### CHASSIS FRAME

Type.....	Cold riveted ladder frame
Chassis width at rear.....	750mm
Side rail dimensions.....	180x64x4.5
Maximum tensile strength.....	630Mpa
Towing hooks.....	Fitted front and rear

### FUEL

Volume.....	100L
Tank Material.....	Metal

### VEHICLE PERFORMANCE

Top speed km/h.....	110
Gradeability %@GW.....	≥30
Final driver ratio.....	4.875

### INSTRUMENTS

#### 1. Meters and gauges

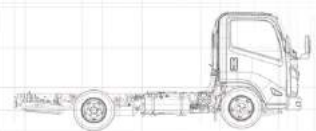
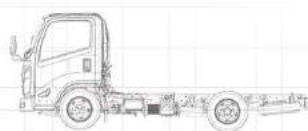
Electronically driven speedometer and tachometer Digital odometer with integrated Coolant temperature.

#### 2. Warning, pilot lamps and sensor

Turn signal and hazard  
Exhaust braking  
Engine oil pressure  
Alternator  
High beam  
Fog lamp front  
Park brake  
Engine failure  
Fuel level warning  
Brake fluid low level  
ABS system failure

### CABIN EXTERIOR

Type.....	Forward control Heavy duty nonslip
Entry step.....	Yes
Roof mounted clearance lamps.....	No
Front mud flap.....	Yes





# CONQUER 3360

## 60-90-MWB DIMENSIONS

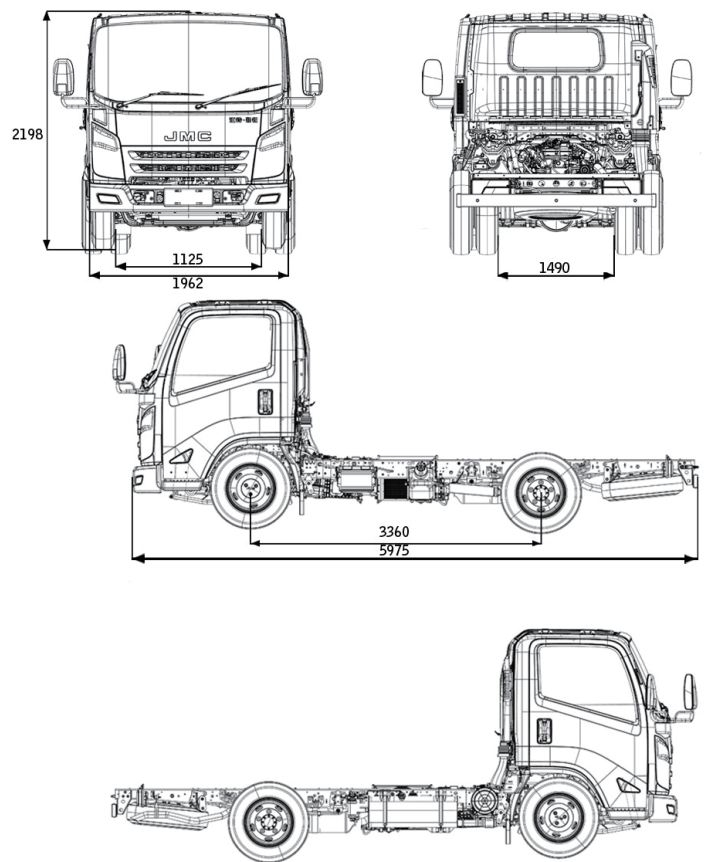


### CABIN INTERIOR

Window screen glass . . . . .	Laminated glass
Driver seat . . . . .	2-way adjustable
Passengers seat . . . . .	Fixed seat
Seat cover . . . . .	Fabric
Driver seat belt . . . . .	Three point type
Passengers seat belt . . . . .	Three point type
Centre passenger seat belt . . . . .	2 point type
Sunvisor . . . . .	Driver and passenger
Ventilator . . . . .	No
Inside rear mirror . . . . .	Flat type
Audio . . . . .	AM/FM+AUX+CD
Reversing sensors . . . . .	No
Air conditioning . . . . .	Yes
Remote central locking . . . . .	Yes
Power windows . . . . .	Yes
Cruise control . . . . .	No
Windscreen wipers 2 speed with intermittent function . . . . .	Yes
Halogen multi-reflector headlamp . . . . .	Yes
Fog lamp . . . . .	Yes
Centre seat back console and 2 cup holder . . . . .	Yes
Door pockets . . . . .	Yes
Entry assist handles . . . . .	Yes

### VEHICLE DIMENSIONS

Wheel base (mm) . . . . .	3360
Cab chassis dimension (L/W/H)(mm) . . . . .	5975/1962/2198
Wheel track (front/rear)(mm) . . . . .	1125/1490
Minimum ground clearance (mm) . . . . .	183



### WARRANTY NEW VEHICLE WARRANTY PERIOD

Light Duty Model	Axle Configuration	Standard Warranty	Cab Corrosion Perforation
<b>60-90-MWB</b>	4x2	3 Years or 160,000km	3 Years or Unlimited km

JMIE Australia Pty Ltd ("JMC") reserves the right to change the specifications, features, colour, designs, materials and features of the products at any time without notice. You should therefore check with your nearest authorised JMC truck dealer at the time of ordering your vehicle to ensure that colour, specifications, equipment, design features are available for the vehicle you are ordering. The information was correct at the time of printing or uploading, August 2016.  
 Copyright © JMIE Australia Pty Ltd ABN:52 161 086 266